



Scorpion V-link II Cable Manual

v1.0

USB Adapter Installation

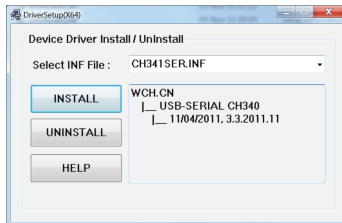
Before you start, install the Driver software for the CH341 USB-Serial hardware. If you have not downloaded the software it can be found here:

<http://www.scorpionsystem.com/files/download/CH341SER.zip>

When you have installed the software drivers, insert the CH341 USB-Serial adapter into a free USB Port, the Driver should now load correctly. If it does not find the drivers for some reason, please re-run the driver installation.

Running the Program

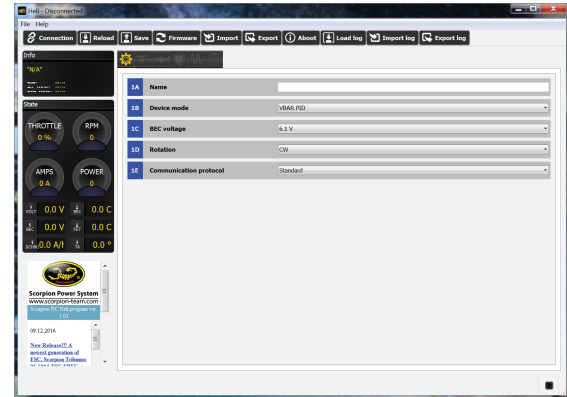
When you start this program for the first time you are shown this question box.



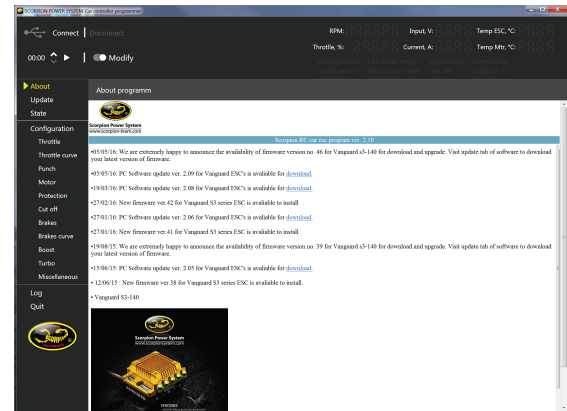
Please press the install button to proceed the installation.

After the installation is done, you are able to connect the CH341 USB-Serial adapter to our program with our device such as Commander V series ESC, Tribunus series ESC, Vanguard serial ESC ...etc.

Click connection button to connect the ESC to the program.



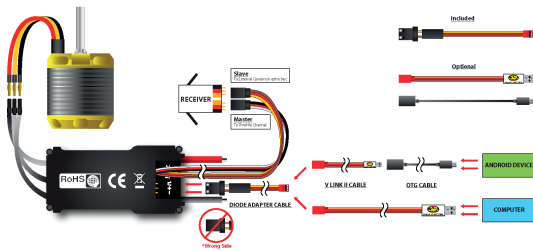
Click connect button to link up the ESC with the program.



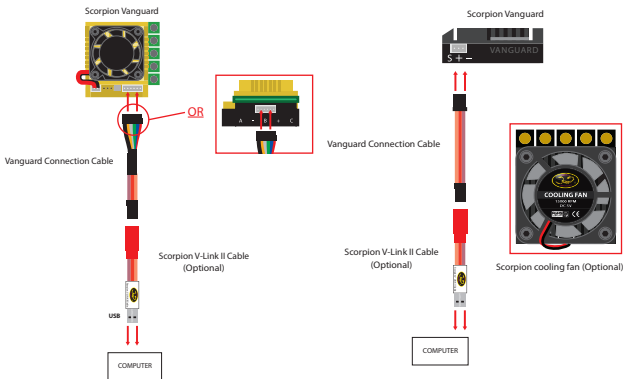
The Power System of Champions!!



Scorpion Tribunus 06-120A-SBEC



** Please update to the latest firmware before you use this ESC.



The Power System of Champions!!