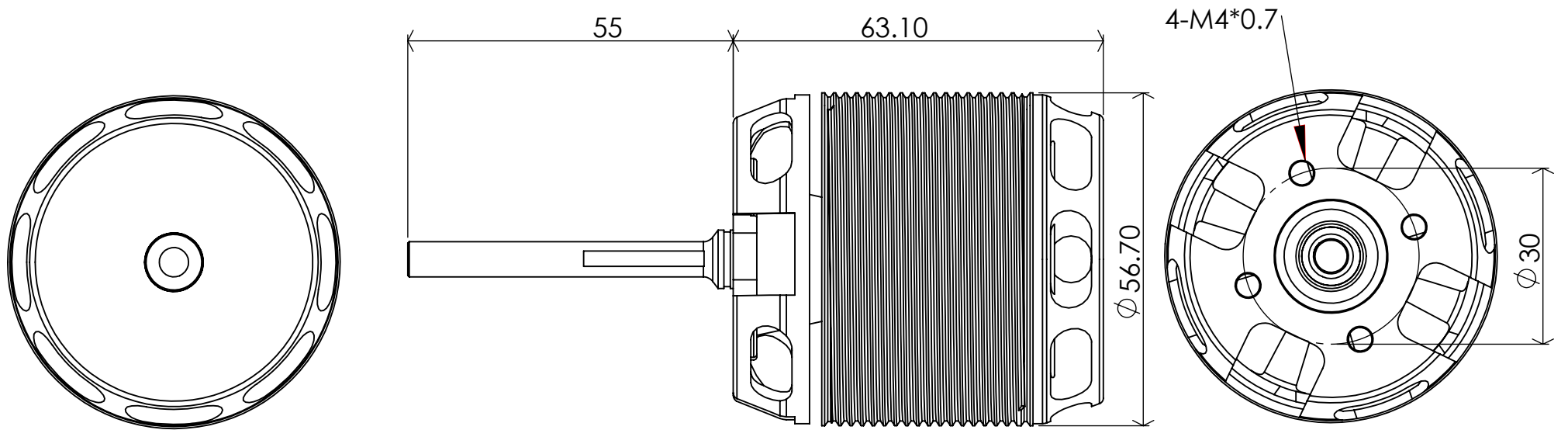


HK-4530-500KV MOTOR (55mm XL shaft) (After May 2017)



HK4530 MOTOR XL 6mm (Before May 2017)

