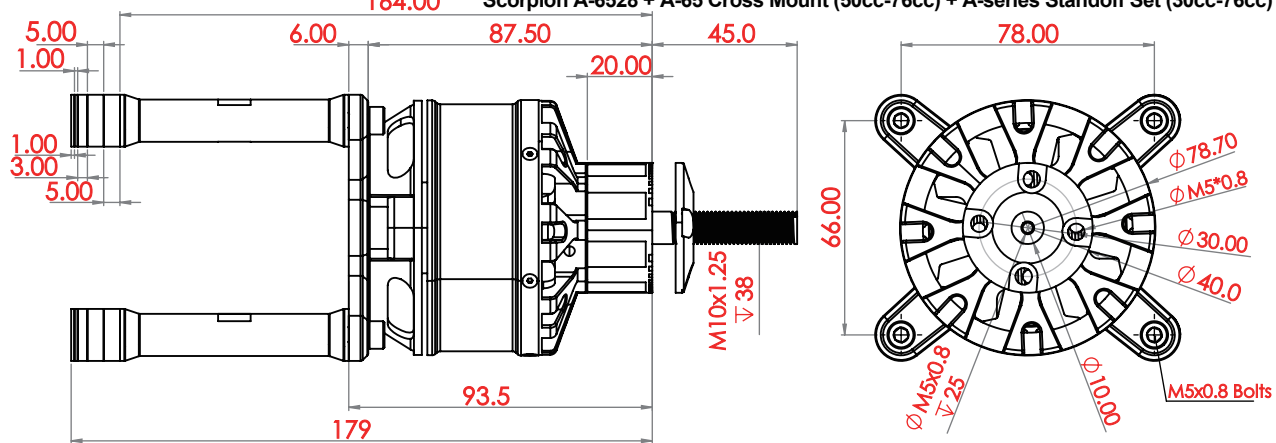


Scorpion A-6528 + A-65 Cross Mount (50cc-76cc) + A-series Standoff Set (30cc-76cc)



Engine	Length (engine+standoff)*	Shims Required*
DA 60	164.4mm	1mm
DA70	167.4mm	3mm + 1mm
GP76	169.6mm	5mm + 1mm
DLE 61	172mm	5mm + 3mm
Model	Firewall to Cowl*	Shims Required*
Skywing 89"- 91"	169mm (+ clearance)	5mm (+ 1mm + 1mm)
Skywing 85"	169mm (+ clearance)	5mm (+ 1mm + 1mm)
EF 85"	172mm (+ clearance)	5mm + 3mm (+ 1mm + 1mm)
EF 91"	168mm (+ clearance)	5mm (+1mm)
Legacy Aviation Muscle Bipe 85"	165mm (+ clearance)	0mm (+1mm + 1mm)
Legacy Aviation Bushmaster 120"	165mm (+ clearance)	0mm (+1mm + 1mm)
Pilot RC 88"- 90"	167mm (+ clearance)	3mm (+1mm + 1mm)
AJ Aircraft – 91"-93"	162mm (+ clearance)	0mm (+0mm + 0mm)
*Values are approximate. Fine tuning may be required		